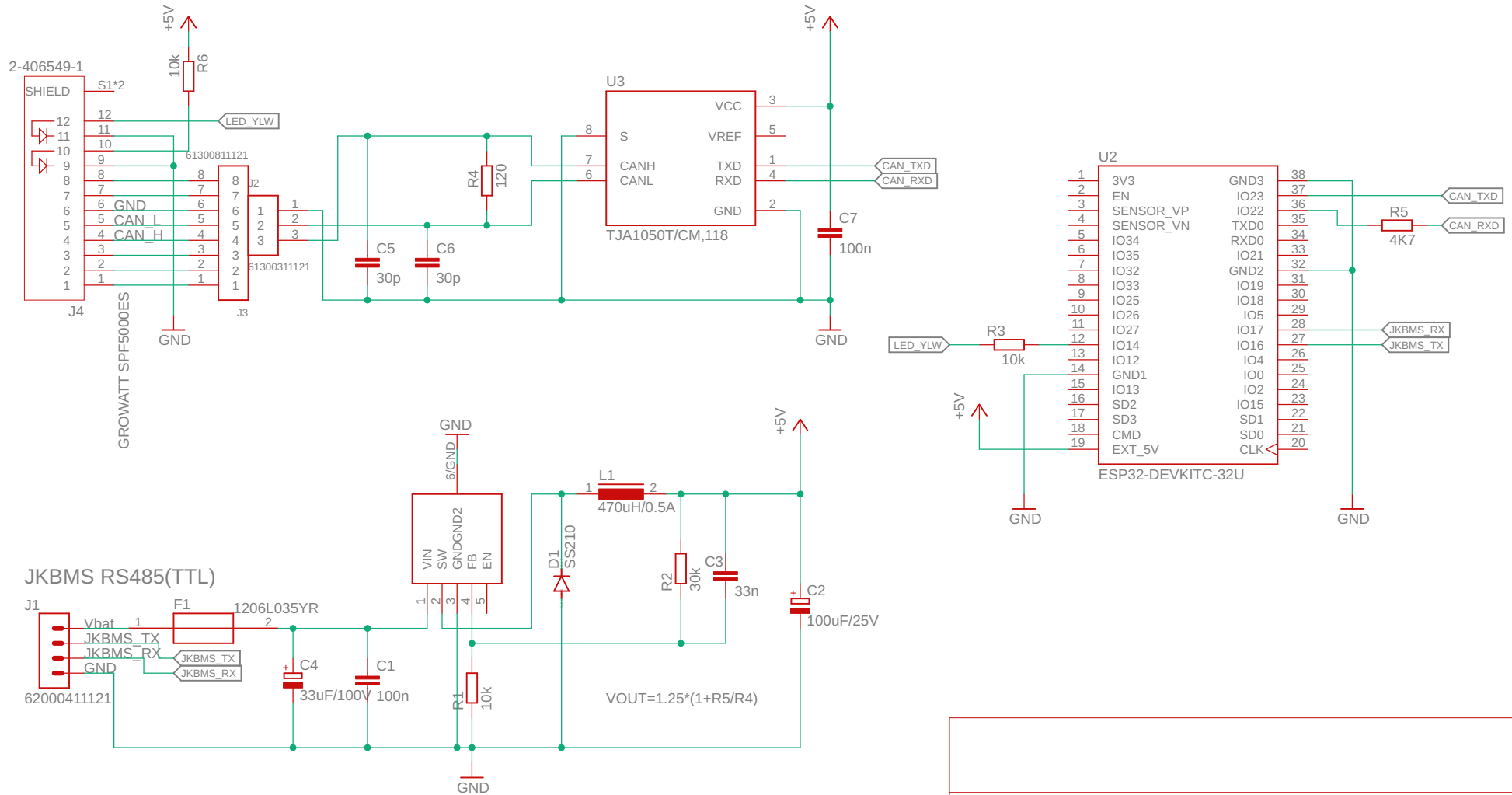
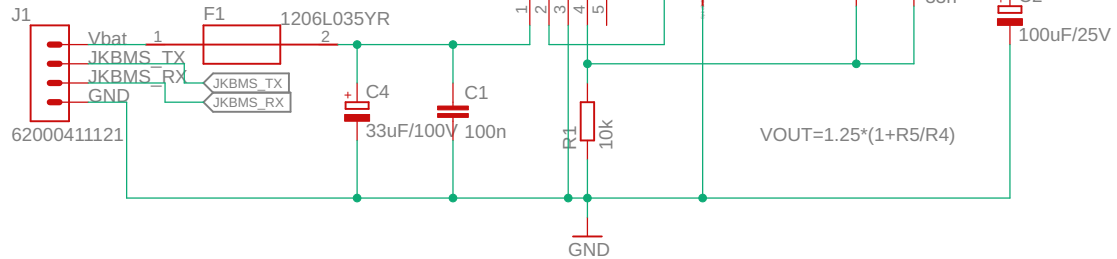


INVERTER BMS



JKBMS RS485(TTL)



TITLE: jk-bms-can	
Document Number:	REV:
Date: 16.08.23 19:22	Sheet: 1/1